



Features:

- Constant voltage/ PWM Output (NFC regulation)
- DALI & Push dimming function (0-100%)
- AC input: 100-277VAC
- Built-in active PFC function
- Efficiency up to 91.8%
- Protections: Short circuit/ Over load/ Over temperature
- Cooling by free air convection
- IP20 design for indoor installation.
- Suitable for intelligent LED lighting
- 5 years warranty



Models

ELED-100-12DP2-SL

ELED-100-24DP2-SL

ELED-100-48DP2-SL

Output Specifications

	ELED-100-12DP2-SL	ELED-100-24DP2-SL	ELED-100-48DP2-SL
Output Voltage	12V (12-13.5V adjust by NFC)	24V (24-26V adjust by NFC)	48V (48-50V adjust by NFC)
Voltage Tolerance		± 0.2%	
Output Current	8.33A	4.17A	2.08A
Rated Power		100W	
Load Regulation	± 2%	± 1%	± 1%

Input Specifications

Input Voltage	100-277VAC
Frequency Range	47-63Hz
Inrush Current	17A, 266us@50%120VAC 60A, 128us@50%230VAC 42.4A, 286us@50%277VAC
Full Load Efficiency (Typ.)	91% @277VAC 91.7% @277VAC 91.7% @277VAC
AC Current (Max.)	1.2A
Leakage Current	<0.5mA
Power Factor	PF≥0.98@120VAC PF≥0.97@230VAC PF≥0.95@277VAC (Full loading)

Protection

Short Circuit	Hiccup mode, recovers automatically after fault condition is removed
Over Loading	≤120% hiccup mode, recovers automatically after fault condition is removed
Over Temperature	100°C± 10°C
Protection Class	I

Environment

Working Temperature	-40~+60°C (Refer to derating curve)
Working Humidity	20-90% RH, non-condensing

Safety & EMC

Storage Temperature, Humidity	-40~+80°C, 10-95% RH
Temperature Coefficient	±0.03%/°C (0-50°C)
Vibration	10-500Hz, 2G 10min./ 1 cycle, period for 60min.each along X, Y, Z axes

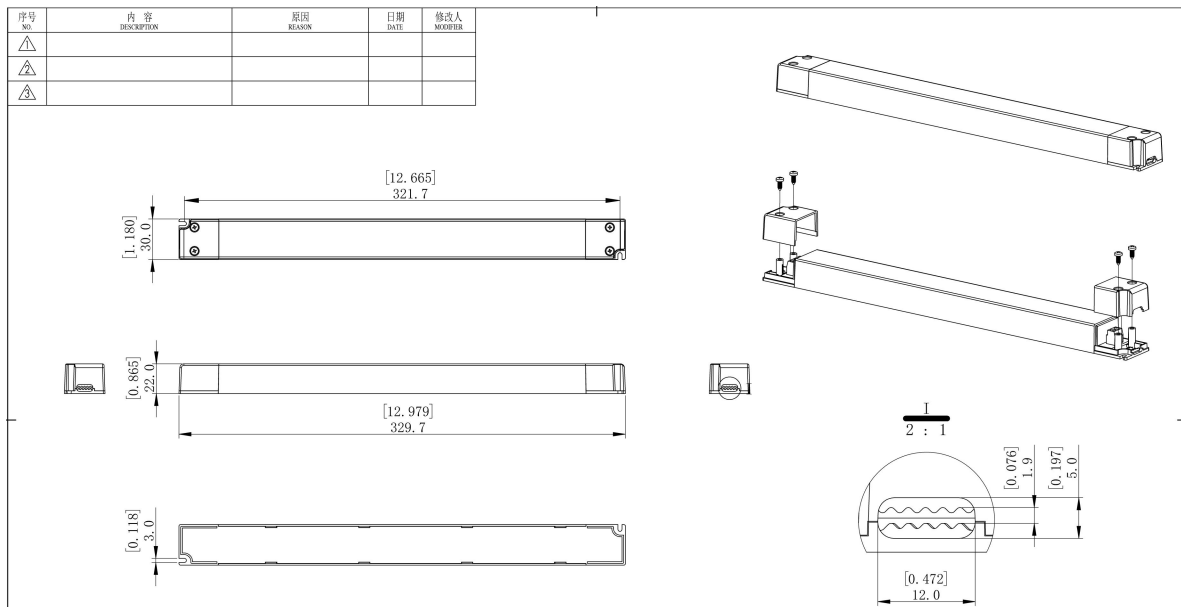
Safety & EMC

Safety standards	EN61347-1 EN61347-2-13 (EU) & UL8750 UL1310(US)
Withstand voltage	I/P-O/P:3.75KVAC (EU) & I/P-O/P:1.8KVAC (US)
Isolation resistance	I/P-O/P I/P-FG O/P-FG: 100MΩ/500VDC/25°C/70%RH
EMC Emission	EN55015 EN61000-3-2,3 (≥50%) (EU) & FCC Part 15 Subpart B(US)
EMC Immunity	EN61000-4-2,3,4,5,6,11 EN61547

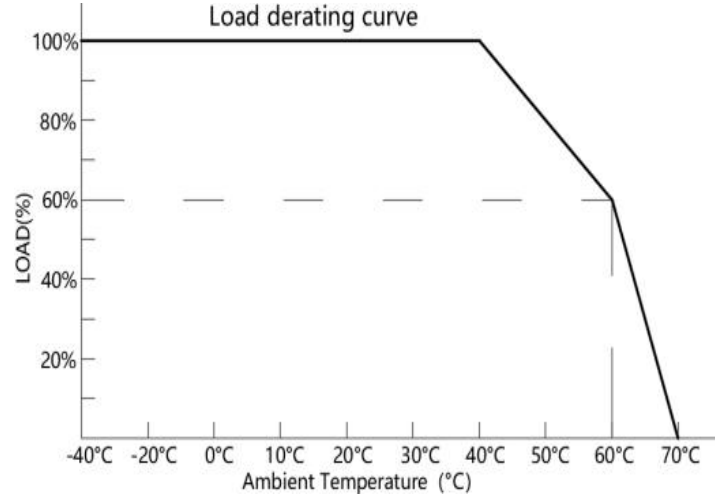
Other Specifications

Weight	0.3 Kg
Size	329.7 x 30 x 22 mm
Packing	350 x 330 x 145mm (20PCS/CTN)

Mechanical Specifications

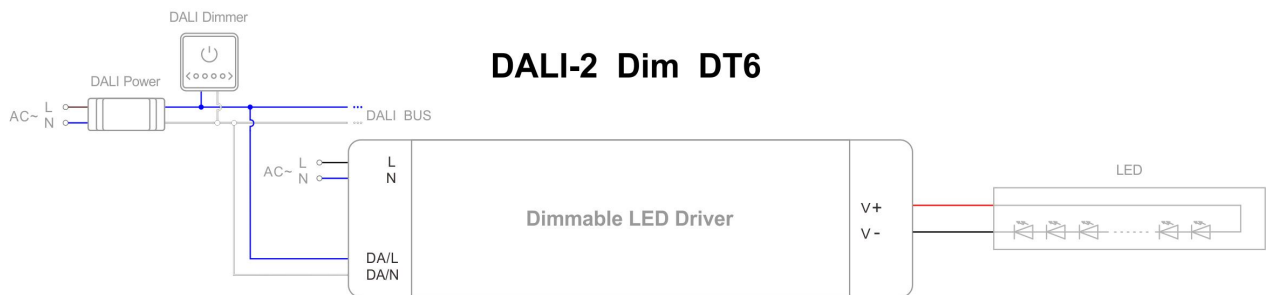


Derating Curve

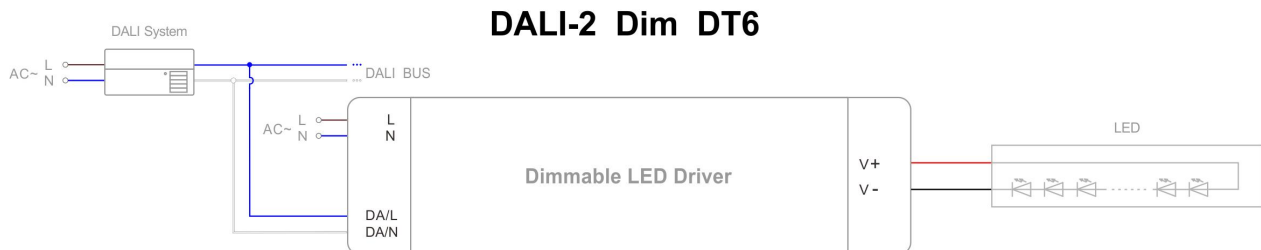


Dimming Operation

- Using DALI-2 dimming with DALI power and dimmer

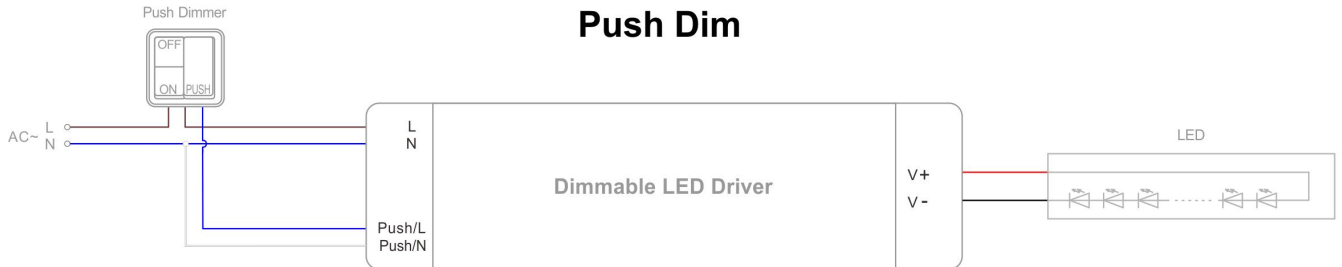


- Using DALI-2 dimming with DALI system and DALI bus



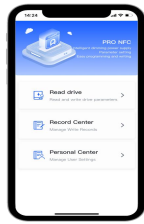
Dimming Operation

- Using PUSH dimming with dimmer (on & off function)



1 unit maximum for Push Dimming

NFC Function



ProNFC APP



NFC Handheld devices

- Address settings:

NFC setting address:

The address can be read and written by a mobile with ProNFC APP or NFC handheld device (NFC read & write device: NFC-RW) by close to the NFC signal area of the DALI driver.

NFC voltage regulation level										
	level 1	level 2	level 3	level 4	level 5	level 6	level 7	level 8	level 9	level 10
12V	12V	12.2V	12.3V	12.5V	12.6V	12.8V	13V	13.1V	13.3V	13.5V
24V	24V	24.2V	24.4V	24.7V	24.9V	25.1V	25.3V	25.6V	25.8V	26.0V
36V	36V	36.2V	36.4V	36.7V	36.9V	37.1V	37.3V	37.6V	37.8V	38.0V
48V	48V	48.2V	48.4V	48.7V	48.9V	49.1V	49.3V	49.6V	49.8V	50.0V

1. This driver should be installed by qualified and professional person.
2. Please make sure the driver is installed with adequate ventilation around it to allow for heat dissipation.
3. Ensure that wiring is correct before test in order to avoid light and power supply damage.
4. If driver Cannot work normally, don't maintain privately.